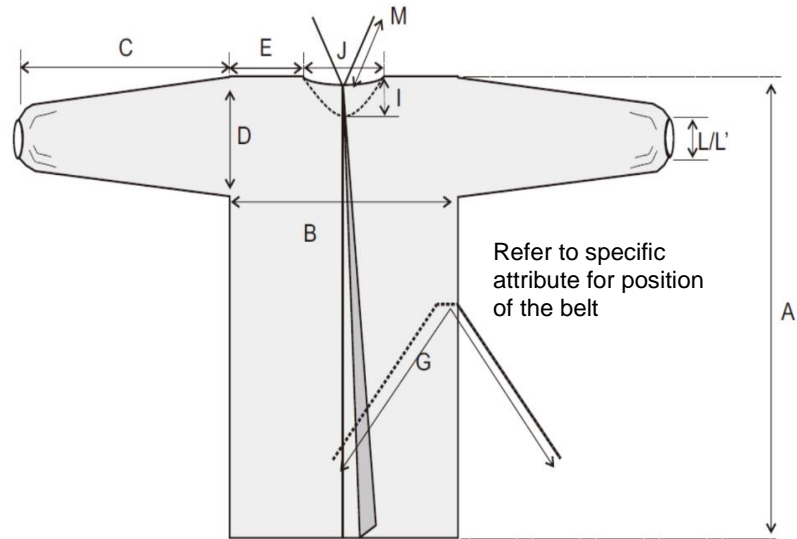


TECHNICAL DATA SHEET
Isolation Gown
Intended Use

Procedure Isolation Gowns designed to protect health professionals and patients from cross contamination. Single use gowns made of polypropylene. Latex-Free

Characteristic		Specification	
Material Composition		Spunbonded Polypropylene	
Description		Gown made of non-woven fabric with full back closure. Features neck ties, string belt and sleeves closed with an elastic.	
Color		Yellow	
		Blue	
Part of Gown		Dimension (cm)	
		Regular	X-Large
A	Gown Length	110	115
	Open Gown Width	142	155
B	Underarm Width	71	77,5
C	Sleeve Length	58	61
D	Shoulder Height	28	32
E	Shoulder Width	23	26
G	Belt Length	180	180
	Belt Position	23 cm under the right arm, sewn over a distance of 6 cm	23 cm under the right arm, sewn over a distance of 6 cm
I	Collar Depth	9	9
J	Collar Width	22	23
M	Neck-Tie Length	35	35
L	Sleeve Cuff Width	8	8
L'	Sleeve Cuff Width (Stretched)	15	15

Measurement Diagram



Product Image



Additional Information

Storage Condition	Country of Origin
Store under ambient temperature and dry condition	China

Appendix 1 List of Item Codes and Attributes

Appendix 1 (List of items)

AMD Medicom Inc.

Item Code	Description	Packaging Information	Size	Color	Specific Attribute	Treatment	Marketed in USA as	Marketed in Canada as
8009	Medicom Isolation Gown	10 Gowns/Bag, 5 Bags/Case, 50 Gowns/Case	Regular	Yellow	Belt on the right	Non-Sterile	Medical Device Class 1	Medical Device Class 1
8010	Medicom Isolation Gown	10 Gowns/Bag, 5 Bags/Case, 50 Gowns/Case	Extra-Large	Yellow	Belt on the right	Non-Sterile	Medical Device Class 1	Medical Device Class 1
8023	Medicom Isolation Gown	10 Gowns/Bag, 5 Bags/Case, 50 Gowns/Case	Regular	Blue	Belt on the right	Non-Sterile	Medical Device Class 1	Medical Device Class 1