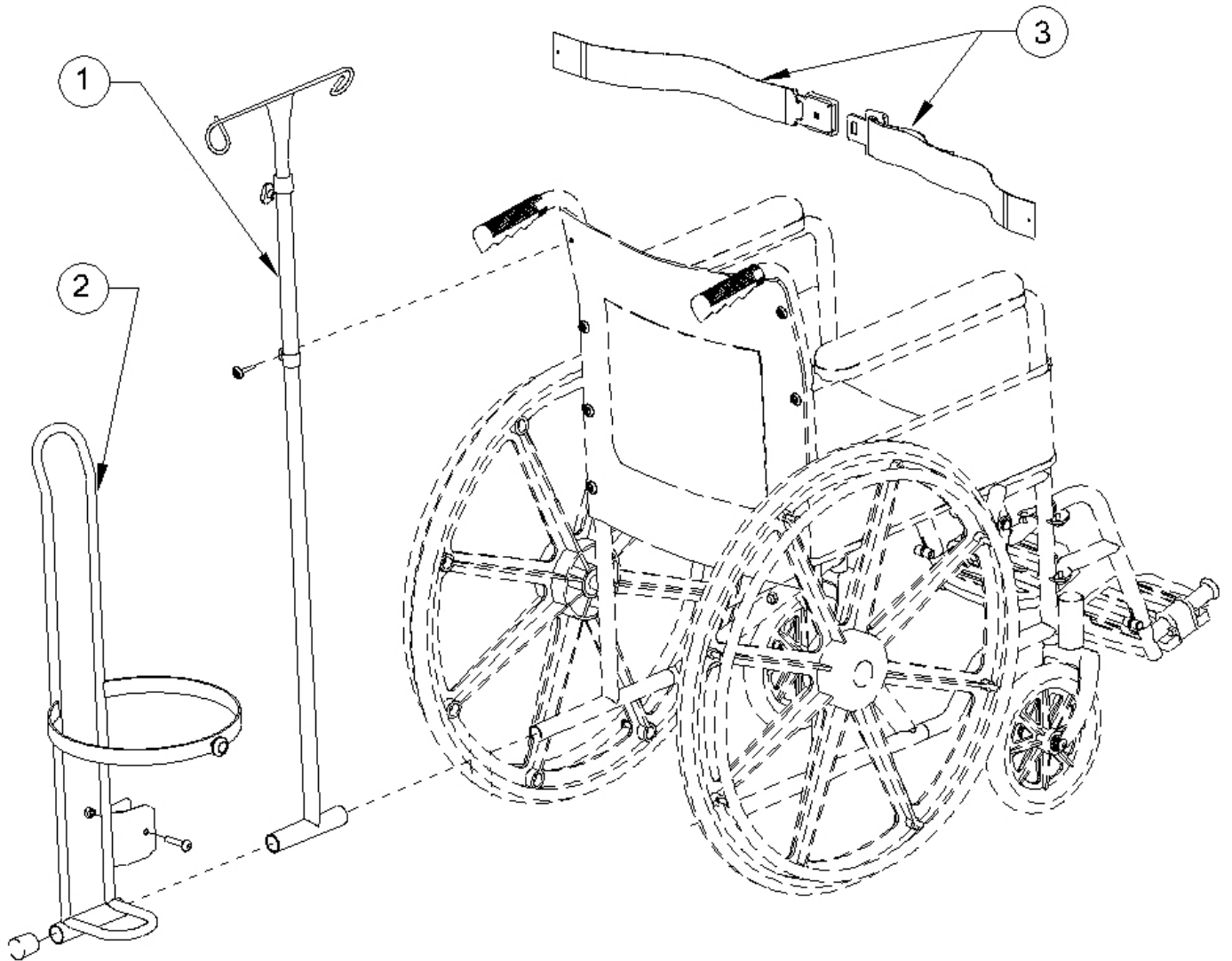


## ACCESSORIES

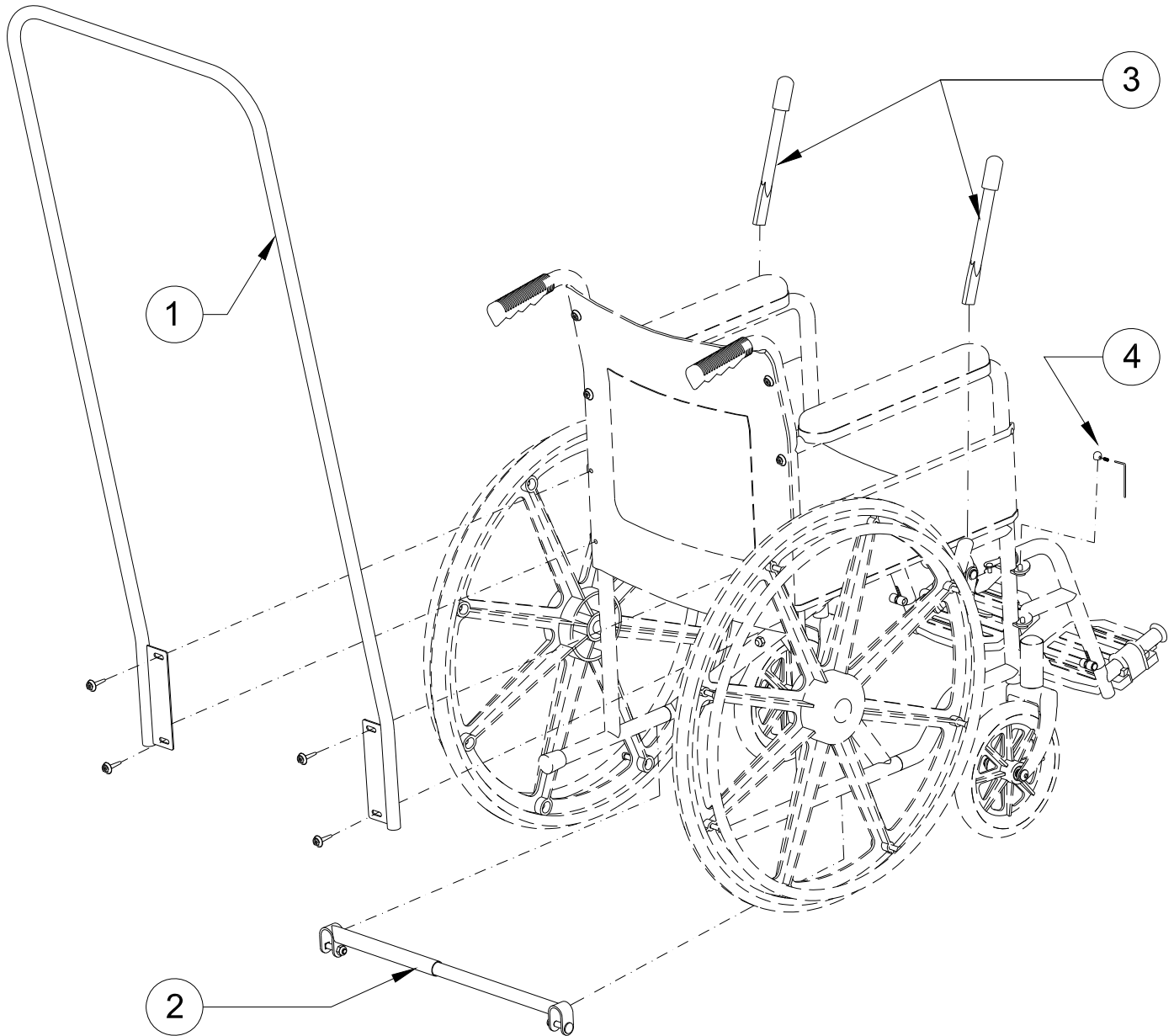
### For Airgo Steel and Airgo ProCare IC wheelchairs



Item #	AMG Part #	Description	Sold by	UOM
1.	701-180	Telescoping IV Pole Attachment (Top Pole, Lower Pole, Knob & Bracket)	1	EA
2.	701-175	Oxygen Tank Holder (Chromed Steel Holder, Screw M4x6mm, Bolt M6x25mm & Nut)	1	EA
3.	701-135	Seat Belt for W/C	1	EA

## ACCESSORIES

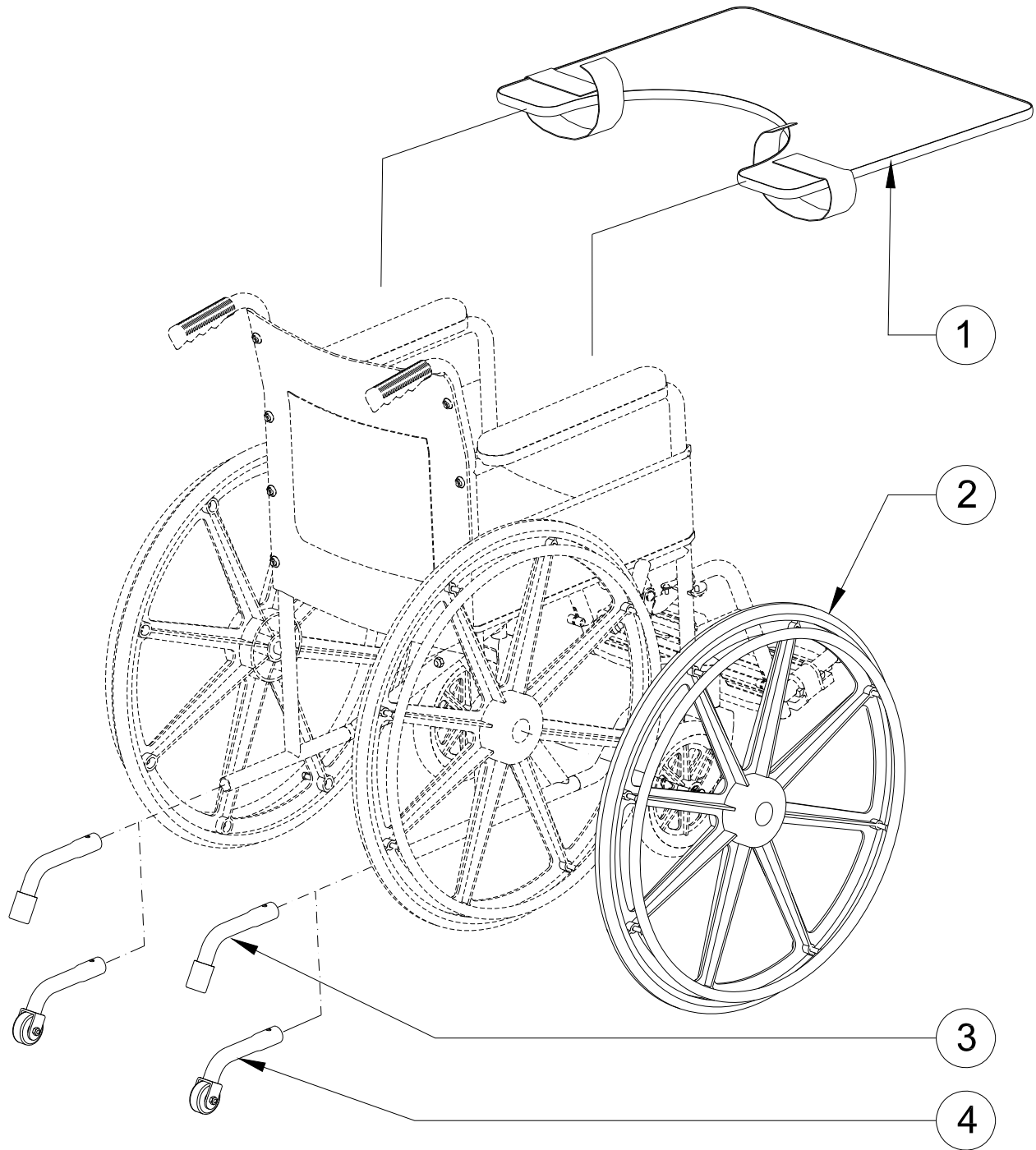
### For Airgo Steel and Airgo ProCare IC wheelchairs



Item #	AMG Part #	Description	Sold by	UOM
1.	701-185	Overhead Anti-Theft Devices	1	EA
2.	701-190	Anti-Theft Device	1	EA
3.	701-160	Brake Handle Extension (Pair)	1	PR
4.	701-192	Footrest / Legrest Lock (2 Locks, 2 Hex Set Screws & 1 Allen Key #3mm)	1	ST

## ACCESSORIES

For Airgo Steel and Airgo ProCare IC wheelchairs



Item #	AMG Part #	Description	Sold by	UOM
1.	704-150	Wheelchair Tray Deluxe	1	EA
2.	B02-165	24" Pneumatic Tire Wheel with 8 Spokes and Anodized Handrim for 16" & 18" Wide W/C	1	PR
3.	701-165	Anti-Tip Device without Wheels	1	PR
4.	701-170	Anti-Tip Device with Wheels	1	PR