



Commodes

Caring for Your Safety & Well-Being



AMG Powder Coated Steel Commode

770-312



The ideal solution for value-conscious caregivers unwilling to compromise on patient safety and comfort.

Versatile

The seat height is adjustable from 17" to 23", to accommodate the needs of various users, as well as to fit over most toilets when used as a toilet safety frame.

Added Comfort

Padded armrests provide arm support.

Durability

High performance steel construction with a powdered acrylic finish. Supports up to 300 lb.



AMG Standard Commode

770-330

Strong yet lightweight, it is adjustable to fit over most toilets and includes all the basic commode features, providing an overall excellent value.

Superior Compatibility

Adjustable seat height from 18" to 23" to accommodate most toilet sizes.

Quality Construction

Durable, rust-resistant satin finished aluminum frame. Supports up to 250 lb.



AMG Deluxe Commode

770-344

With four swivel casters and diagonal brakes, this commode is an ideal choice for hospitals or long-term care facilities. With the pail removed, it can double as a toilet safety frame. When not in use, its back support can be knocked down to minimize storage space.

Ultra Lightweight

Made of rust-resistant satin finished aluminum, it weighs only 5.4 kg / 11.9 lb.

Easy Transport

Its light weight and extended backrail make it easier for the caregiver to manoeuvre this commode while transporting patients.

Enhanced Patient Safety

Full-length plastic armrests offer added support to the user.



AMG Extra-Wide Commode

770-314

This commode is designed to support patients weighing up to 500 lb (227 kg).

Extra-Wide Frame

7" wider between the armrests than our standard commode to comfortably accommodate heavier users.

Superior Quality

Made of high performance steel with powder coated acrylic for prolonged rust resistance.



AMG Shower Chair / Commode

770-316



Designed for easy and safe transport to and from the patient's bed and bathroom, where it may also be used as a toilet safety frame.

Shower compatible

Durable seat padding is water resistant. Nylon backrest allows water to rinse through and dries quickly.

Enhanced Comfort

Oversized foam padded toilet seat to help alleviate pelvic pressure.

Superior Safety

Rust-resistant locking casters enable the commode to stay in place, even on wet surfaces. Full-length plastic armrests provide ample gripping surface.



AMG Home Care Commode

770-315



A convenient and safer toilet alternative for persons with reduced mobility. Also use for support over a toilet or as a raised toilet seat.

Easy to use

- Easy Tool-Free Assembly!
- Multi-use design
- Height adjustable

Quality Construction

Durable, rust-resistant frame construction with plastic armrests. Supports up to 300 lb.



AMG euro Commode

770-365



This multifunctional commode comes with 4 locking casters and padded drop-down armrests, making it an ideal choice for institutional users.

Superior Safety & Comfort

Four locking casters firmly hold the commode in place. Supportive vinyl backrest, padded armrests, seat cushioning and swing away footrests increases comfort.

Easy to use

The padded drop down armrests make it easy to transfer patients onto and off the commode.



New & Improved!

AMG euro Commode

770-370 and 770-375



770-375 featured

19" clearance allows this commode to fit over most toilets while the lift-up padded armrests and rear locking casters make patient transfers safe and easy.

Superior Safety

Four swivel casters allow the commode to roll smoothly. The heel band keeps feet safely on the footrests.

Versatility

The lift-up armrests facilitate patient transfers, the cushioned seat makes patient transport more comfortable. May be used with a standard pail (included) or a contour bedpan (with optional bedpan holder).

Easy to Use

Features adjustable tool-free footrests for quick and simple patient customization.

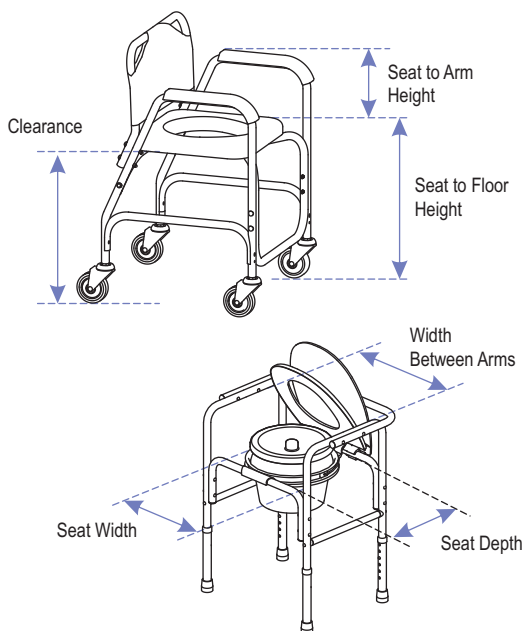


AMG Commodes – Technical Specifications

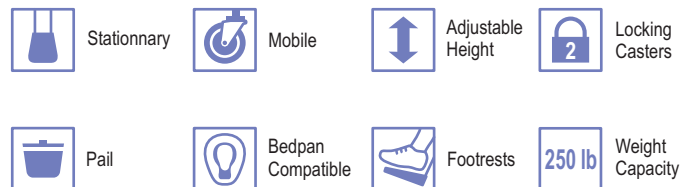


	770-312	770-330	770-344	770-314	770-315	770-316	770-365	770-370 770-375
Weight	14.1 lb 6.4 kg	11.9 lb 5.4 kg	15.9 lb 7.2 kg	18.3 lb 8.3 kg	11 lb 5 kg	12.6 lb 5.7 kg	28.7 lb 13 kg	28.2 lb 12.8 kg
Clearance	14.25" – 20.25" 36.2 cm – 51.4 cm	16.5" – 21.5" 41.9 cm – 54.6 cm	18.75" 47.6 cm"	19.25" 48.9 cm	14" – 20" 35.6 cm – 50.8 cm	18.5" 47 cm	16.75" 42.5 cm	19" 48.3 cm
Seat to Floor Height	16.5" – 22.5" 41.9 cm – 57.2 cm	19.25" – 24.25" 49.0 cm – 61.6 cm	Fixed 20.4" 51.8 cm	Fixed 21.5" 54.6 cm	15.75" – 21.75" 40.0 cm – 55.2 cm	Fixed 21.5" 54.6 cm	Fixed 19.5" 49.5 cm	Fixed 21.25" 54.0 cm
Overall Height	23.75" – 29.75" 60.3 cm – 75.6 cm	24.25" – 29.25" 61.6 cm – 74.3 cm	33" 83.8 cm	27" 68.6 cm	23.25" – 29.25" 59.0 cm – 74.3 cm	39" 99 cm	38.25" 97.2 cm	39 1/2" 100.3 cm
Seat to Arm Height	7" 17.8 cm	6" 15.2 cm	7" 17.8 cm	6" 15.2 cm	8.5" 21.6 cm	6.5" 16.5 cm	9.5" 24.1 cm	9.5" 24.1 cm
Seat Depth	14.5" 26.8 cm	16" 40.6 cm	16.5" 41.9 cm	16.5" 41.9 cm	17" 43.2 cm	16" 40.6 cm	17" 43.2 cm	17" 43.2 cm
Seat Width	13.75" 34.9 cm	14" 35.6 cm	14" 35.6 cm	14" 35.6 cm	14" 35.6 cm	16" 40.6 cm	17.5" 44.5 cm	17.5" 44.5 cm
Width Between Arms	18" 45.7 cm	18.25" 46.4 cm	19" 48.3 cm	24" 61 cm	18" 45.7 cm	18.25" 46.4 cm	18" 45.7 cm	18" 45.7 cm
Weight Capacity	300 lb 136 kg	250 lb 113 kg	250 lb 113 kg	500 lb 227 kg	300 lb 136 kg	300 lb 136 kg	300 lb 136 kg	300 lb 136 kg

Dimensions Legend



Icon Legend



To learn more about our commodes or any other AMG product, contact your AMG Representative, call toll-free at 1-800-363-2381 or visit our web site.

AMG AMG Medical Inc.
Montreal, QC H4T 1V5
www.amgmedical.com

The above information was last updated on November 16, 2007. Product offering and specifications are subject to change without notice. For the most current information regarding this product line, please consult our web site: www.amgmedical.com.